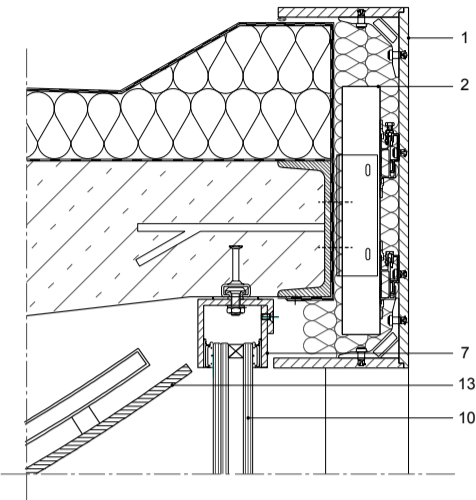
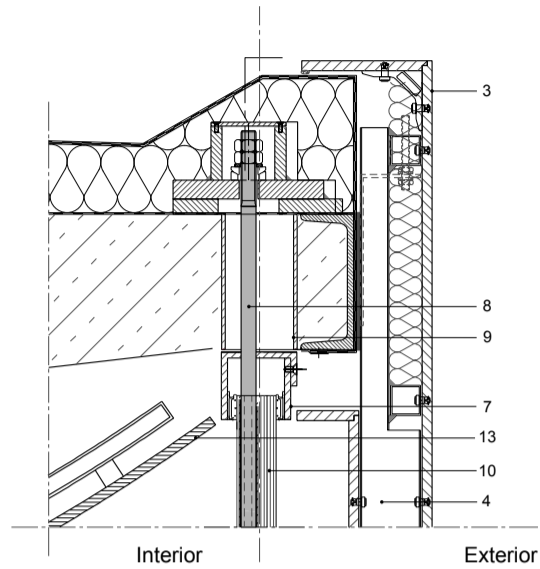


Longitudinal section: attic
M 1:10

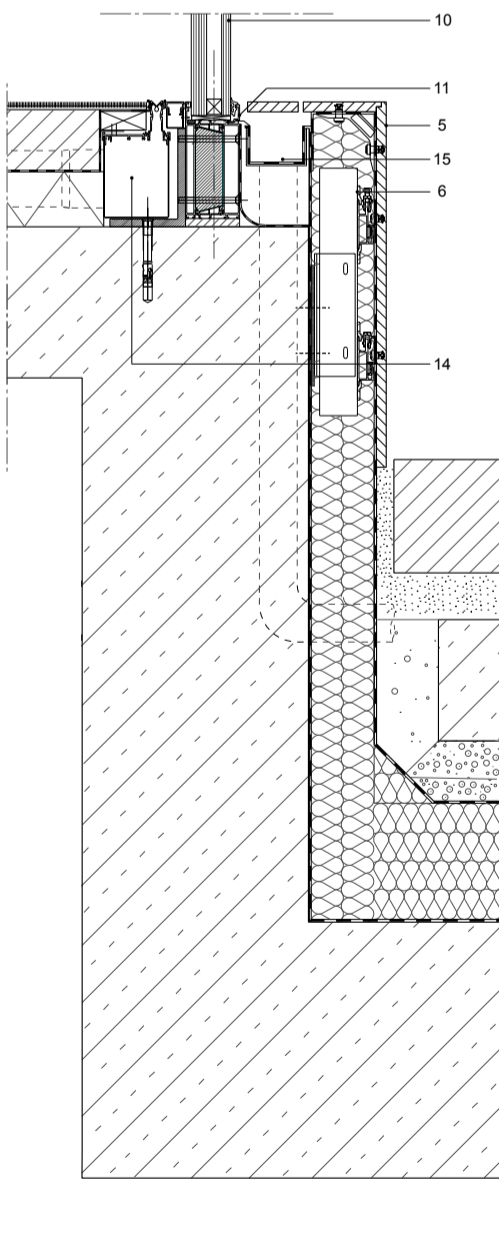


Longitudinal section: pilaster strips on the façade
and upper tension anchor
M 1:10

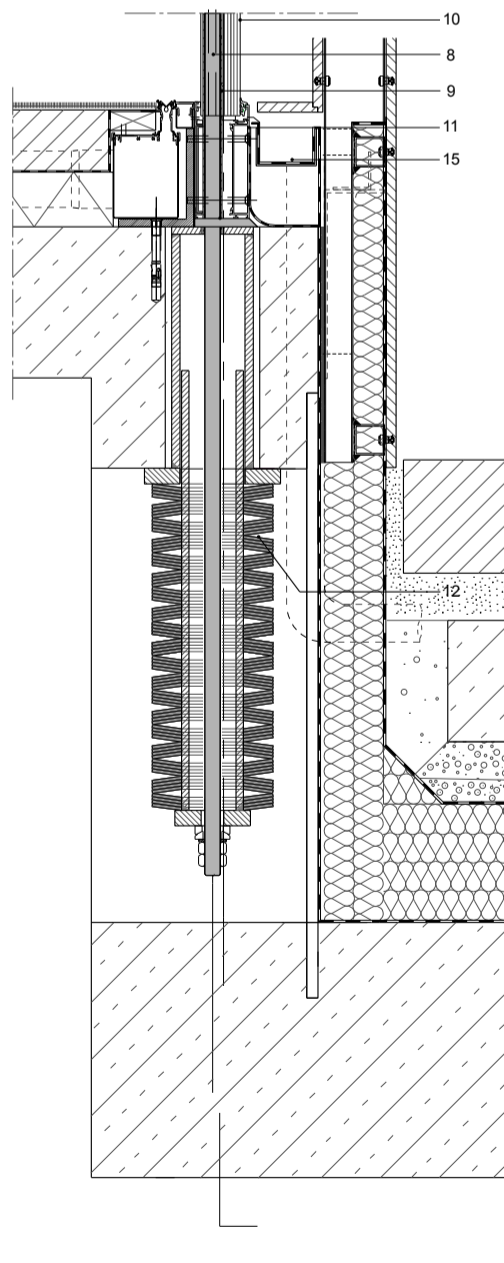


- 1 Cladding of the attic: 13 mm acrylic solid surface, mounted with undercut anchors
- 2 Curtain wall substructure, attic element
- 3 Pilaster strip: 13 mm acrylic solid surface, mounted with undercut anchors
- 4 Substructure of the pilaster strip: 2 x 70/70 mm aluminium u-profile
- 5 Base: 13 mm acrylic solid surface, mounted with undercut anchors
- 6 Curtain wall substructure, base element
- 7 Upper frame profile: aluminium
- 8 20 mm tension rod, stainless steel
- 9 25/25/2 mm square profile, stainless steel

Longitudinal section: base
M 1:10



Longitudinal section: pilaster strips on the façade
and lower tension anchor
M 1:10



- 10 5875/1970 mm insulation glass 70/40
Interior: LSG of two 10 mm float glass panes, one laminated with printed PVB film
Exterior: 12 mm float glass
- 11 Lower frame profile: aluminium
- 12 Disk spring column with 19 sets of 4 single springs
- 13 Suspended ceiling, bent plasterboard
- 14 Floor ventilation outlet
- 15 Drainage gutter